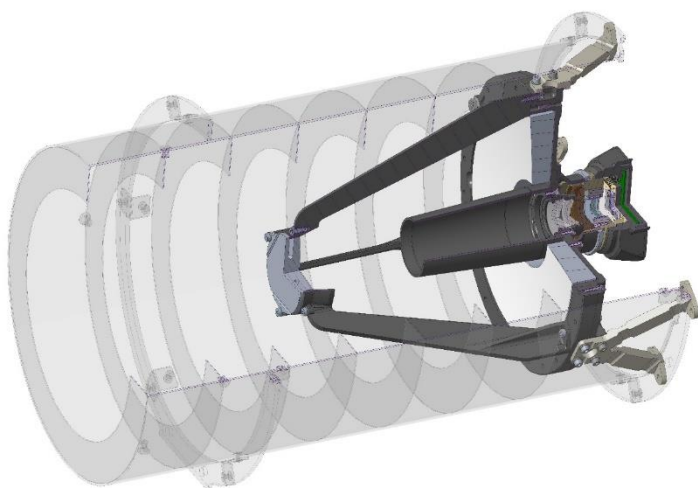
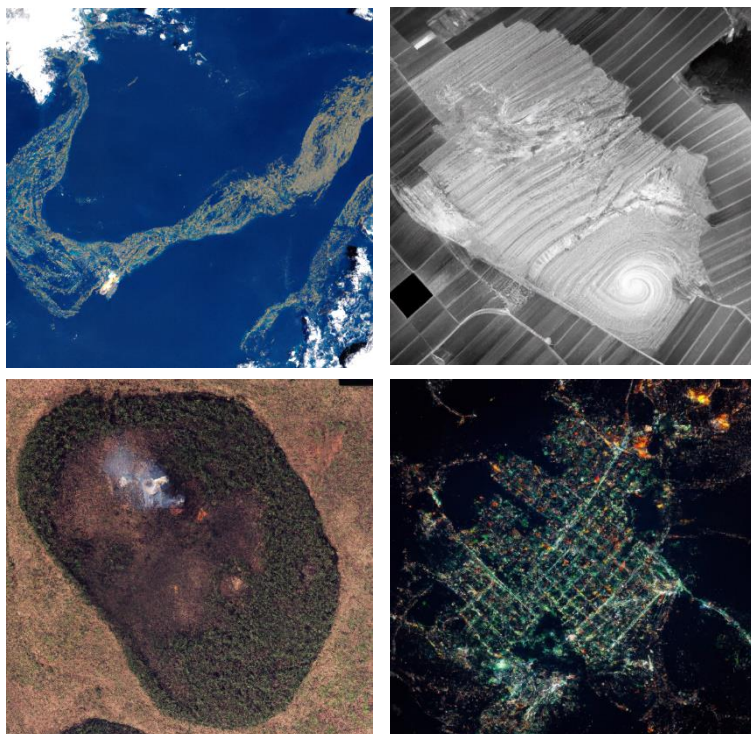


High-performance Earth-observation payload in VIS-NIR-SWIR



## PAYLOAD SPECIFICATIONS (@500 km orbit)

Spectral range (simult. multiband)	1– 1.7 $\mu\text{m}$ (SWIR) 0.4 – 0.9 $\mu\text{m}$ (VIS-NIR)
GSD	< 5 m
Effective aperture	200 mm
Swath	~ 6.5 km
SNR	> 60
Power	35 W
Size (telescope + camera)	65 x 40 x 40 cm
Weight (telescope + camera)	< 20 kg



Images of VINIS applications. Simulated using AI.

### Applications:

- ✓ Support in **firefighting** tasks.
- ✓ Detection of **oil spills** in the sea.
- ✓ **Water stress** monitoring on crops.
- ✓ **Flood impact** assessment.
- ✓ Detection for **rescue in the high seas**.
- ✓ **Light pollution** monitoring.
- ✓ Analysis of the evolution of **construction**.
- ✓ **Geological** studies.